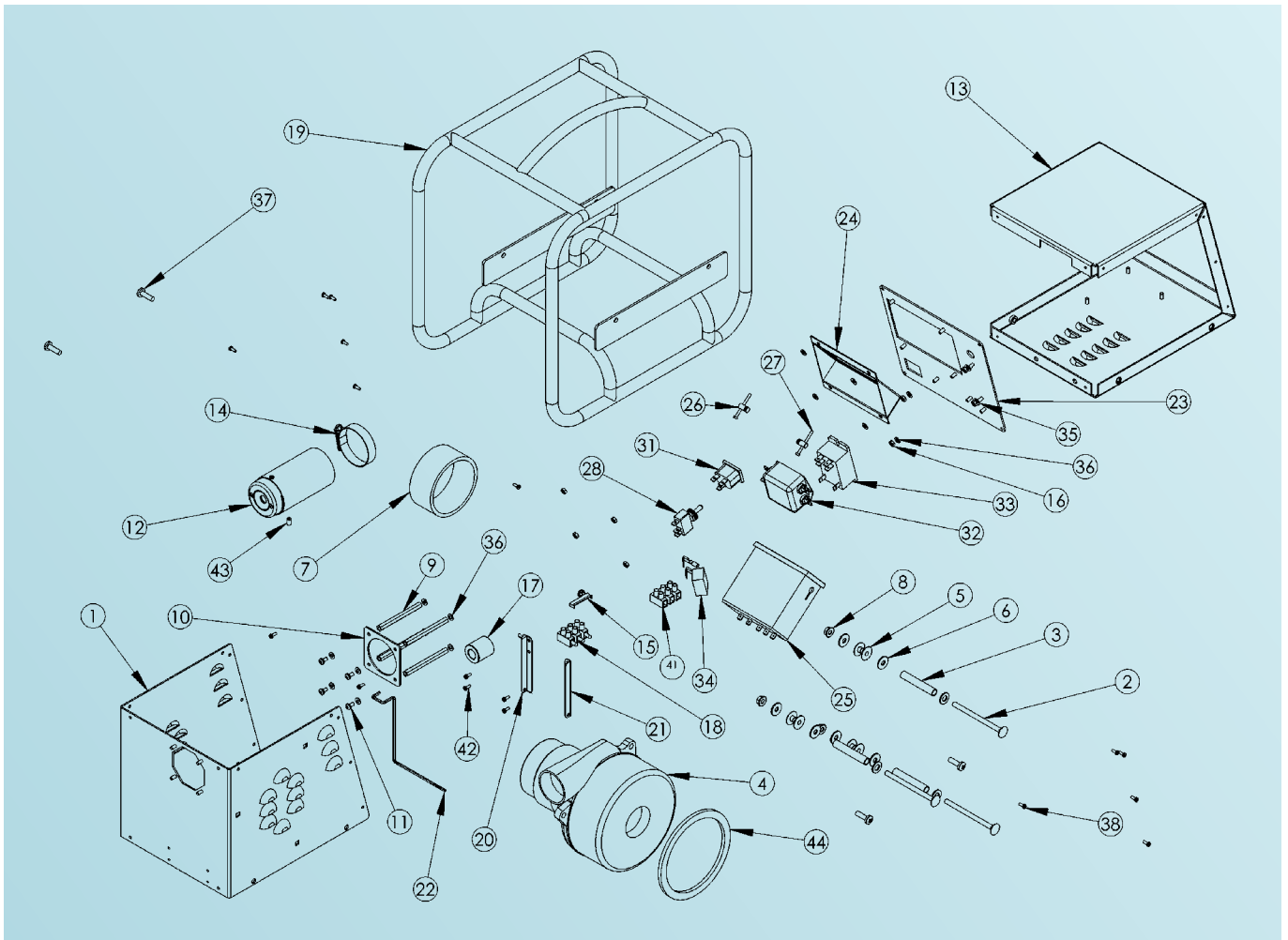


## EXODUS PARTS DIAGRAM



COMPONENTS LIST				20	BOTTLE BRACKET A	MEXDBOTBA	1
KEY	DESCRIPTION	PART #	QTY	21	BOTTLE BRACKET B	MEXDBOTBB	1
1	FRONT PANEL	MEXDFRNTP	1	22	BOTTLE LEVER	MEXDBOTLVRSS	1
2	Coach Bolt M6 x 90mm	FSC6901	3	23	CONTROL PANEL	MEXDCNTLP	1
3	SPACER 57.5mm	MEXDSPACER	3	24	TIMER HOUSING	MEXDTIMRH	1
4	Motor Assembly	EEXDMOTOR230	1	25	Timer	EEXDTIMER230	1
5	Shoulder washer nylon	WASHNYLSHLDR	6	26	Timer Mounting Lug	N/A	2
6	M6 washer 18mm OD ST.ST	FWA607	6	28	TOGGLE SWITCH 3 POSITION	ESWITCH3	1
7	Motor hose	PEXDMTRHOSE	1	31	IEC INLET BLACK	EHEMA11X/A	1
8	M6 flange nut	FFN609	3	32	Schaffner Filter	EFILTEREXD	1
9	M4 x 75mm Stand off	STDOFFM4X75PLD	4	33	T92P7A22-240 RELAY 240VAC 30A	ERELAYDPN0230	1
10	Nozzle plate	MEXDNOZZP	1	34	Rifa Capacitor	ECAPACEXD	1
11	M4 x 8mm Pozi pan screw ST.ST	FSC4201	4	35	M5 PLAIN WASHER	FWA502	2
12	Nozzle assembly	ANOZZLEEXD	1	36	M4 SHAKEPROOF WASHER ST.ST	FWA401	23
13	Rear panel	MEDREARP	1	37	M6 X 20MM POZI PAN SCREW ST.ST	FSC6601	4
14	Jubilee clip 45-60mm Zinc Plated	FSWD40/60B	1	38	No6 3/8" POZI PAN SELF TAPPER BLACK	FSC6002	18
15	Flat tie Holder FTH-11-8-01 RICHCO	TWNYLHLD	1	39	M8 WASHER 16MM OD BZP	FWA807	3
16	M4 NYLOC NUT ST.ST	FNT401	11	41	conn block female	EHEMA112F	1
17	Ferrite	EFERRITEEXD	1	42	No6 2/8" POZI PAN SELF TAPPER ST.ST	FSC6001	4
18	conn block male	EHEMA112M	1	43	TYGON SEAL	PTYGONEXG	1
19	EXODUS FRAME	MEXDFRAMESLV	1	44	MOTOR GASKET EXUL/104A	PEXDMTRGSK	1